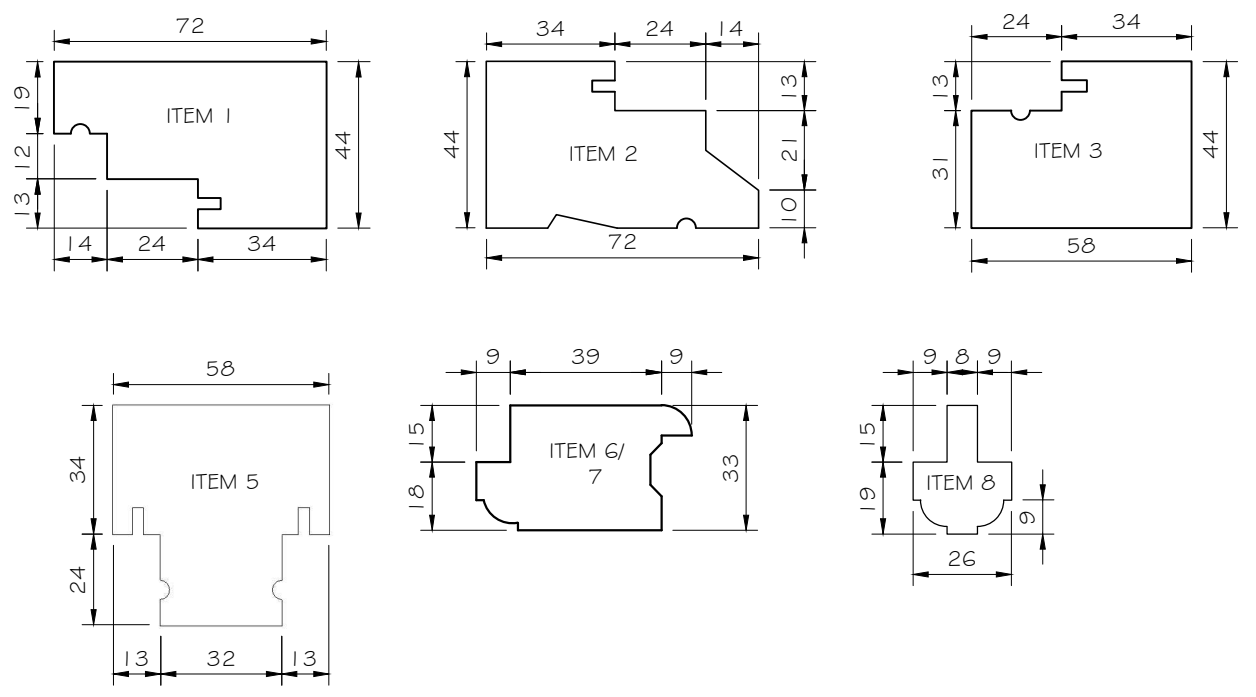
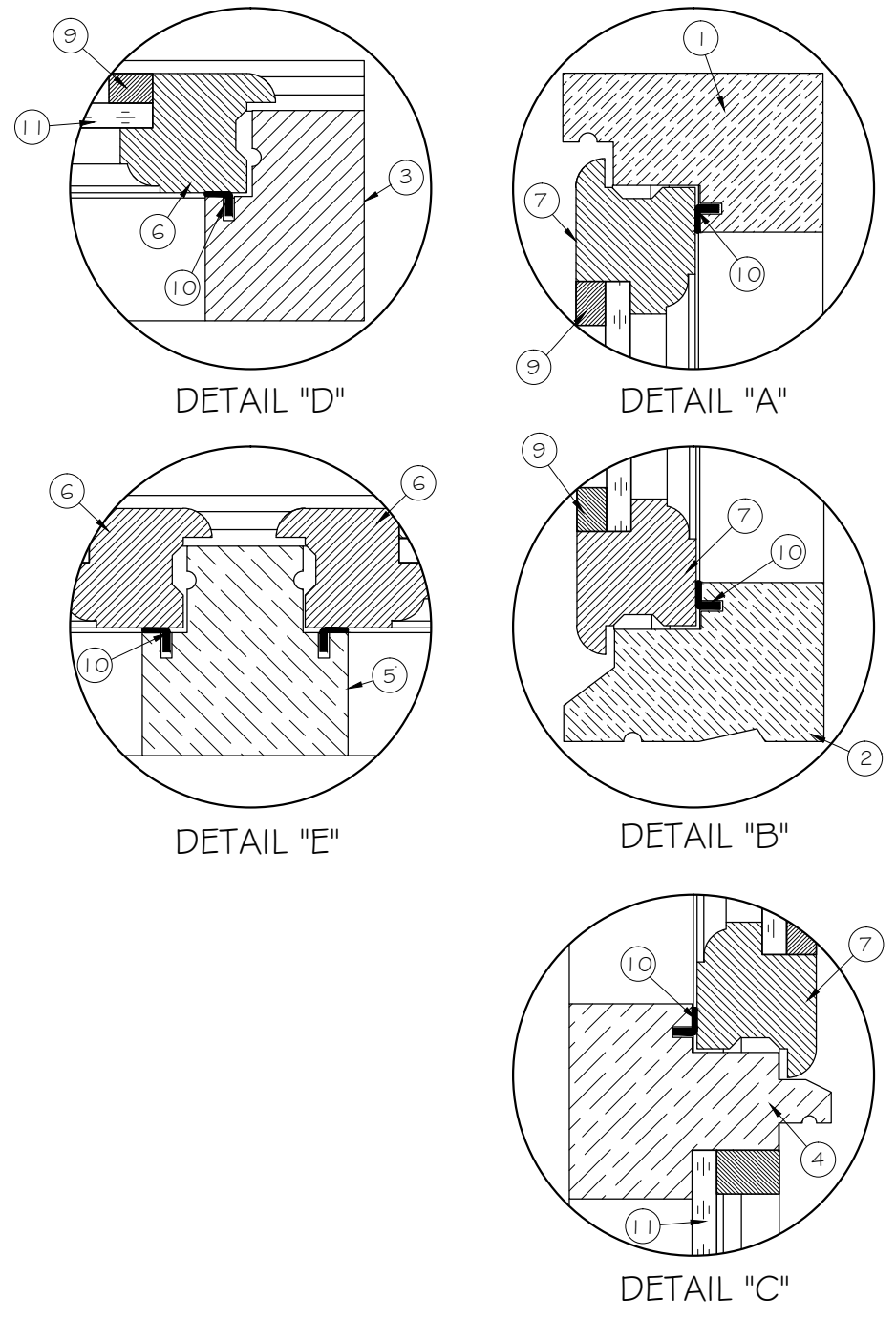
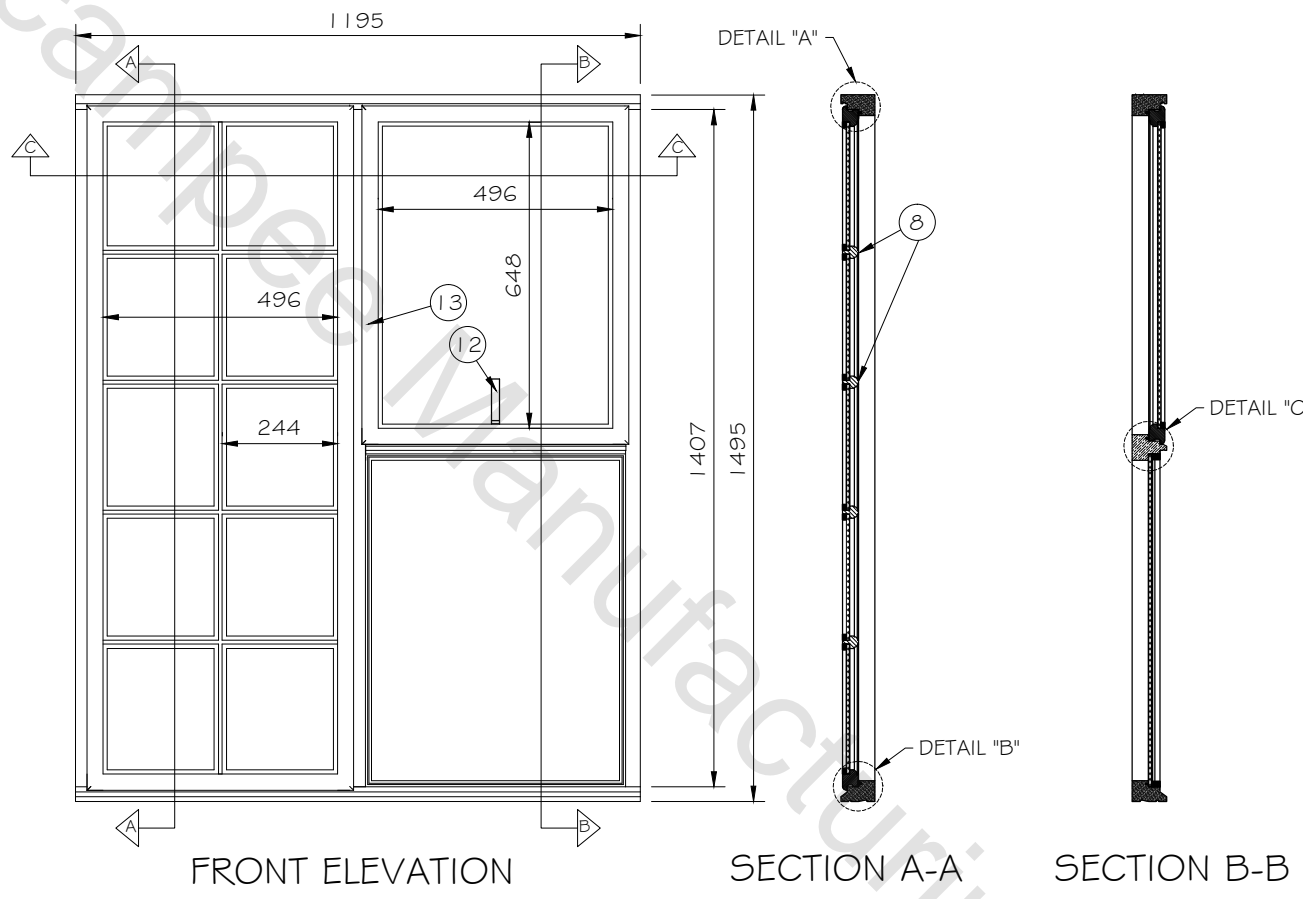


Scanned with Manufacturing the Tailormade Joinery



NOTE: \*PERFORMANCE CATEGORY AAAMSA "A1"  
 \*ALL JOINTS SEALED WITH GENKEM QAR 107D4  
 \*SILICON TO BE PLACED ON FRAME BEFORE GLASS IS SEATED.  
 \*WOOD BEAD SILICONED & NAILED TO FRAME.

ITEM LIST			
ITEM	DESCRIPTION	ITEM	DESCRIPTION
1	TOWN HOUSE HEAD	9	WOOD BEAD
2	TOWN HOUSE CILL	10	AQUAMAC 124
3	TOWN HOUSE STILE	11	GLASS 6.38mm LAMINATED
4	TOWN HOUSE TRANSOME	12	HANDLE WWH224 GAS SLIMLINE EGOLI
5	TOWN HOUSE MULLION	13	NN 4 BAR HINGE 300 YP
6	TOWN HOUSE SASH STILE	14	
7	TOWN HOUSE SASH RAIL	15	
8	BARS	16	

**TAILORMADE JOINERY**  
 TEL: 032 947 0435  
 PO BOX 260 UMHLALI 4390

**TOWNHOUSE  
 TOP & SIDE HUNG**

DRAWN	KEVIN	DRAWING	
DATE	05/04/2013	NUMBER	REV.
SCALE	1:2 - 1:16	011	0