

FRONT ELEVATION

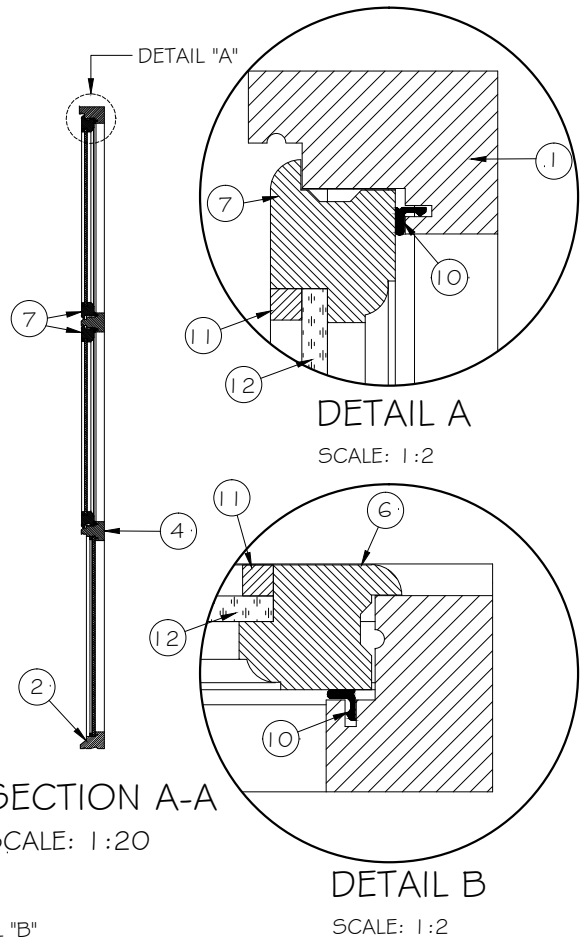
SCALE: 1:20

SECTION B-B

**NOTE:** \*PERFORMANCE CATEGORY AAAMSA "A1"  
 \*ALL JOINTS SEALED WITH GENKEM QAR107D4  
 \*SILICON TO BE PLACED ON FRAME BEFORE GLASS IS SEATED.  
 \*WOOD BEAD SILICONED & NAILED TO FRAME.

ITEM LIST

ITEM	DESCRIPTION	ITEM	DESCRIPTION
1	T/H HEAD	7	T/H SASH RAIL
2	T/H CILL	8	NN 4 BAR HINGE 300 YP
3	T/H STILE	9	HANDLE WWH224 GAS SLIMLINE EGOLI
4	T/H TRANSOME	10	AQUAMAC 21
5	T/H MULLION	11	WOOD BEAD
6	T/H SASH STILE	12	GLASS 6.38mm LAMINATED



SECTION A-A

SCALE: 1:20

DETAIL A

SCALE: 1:2

DETAIL B

SCALE: 1:2

TAILORMADE JOINERY

TEL: 032 947 0435  
 PO BOX 260 UMHLALI 4390

THMC4 TOWN HOUSE  
 AWNING

DRAWN		DRAWING	
DATE	25/12/2012	NUMBER	REV.
SCALE	AS SHOWN	004	3