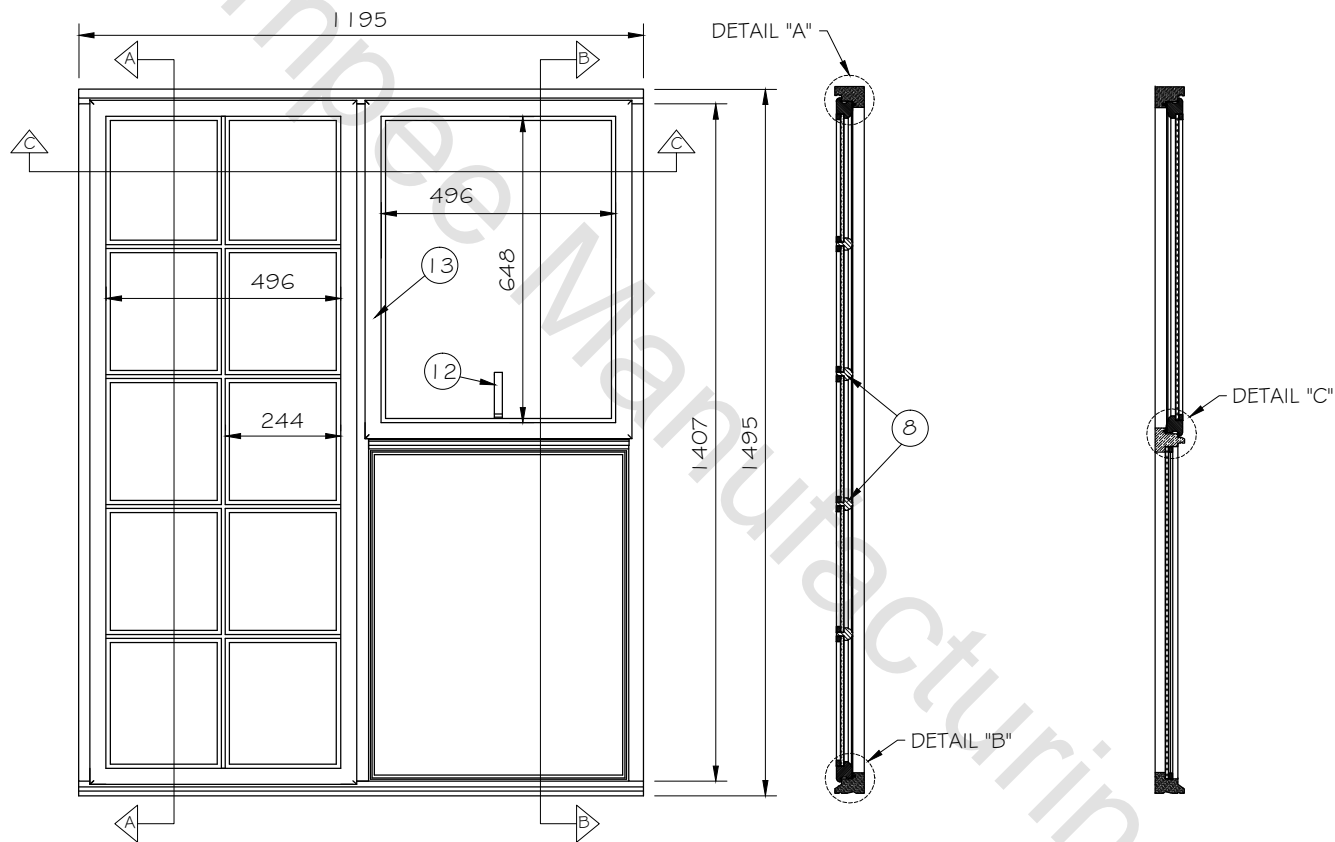


Scamp Manufacturing t/a Tailormade Joinery

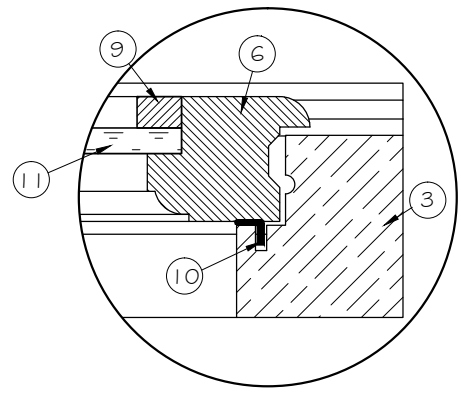


FRONT ELEVATION

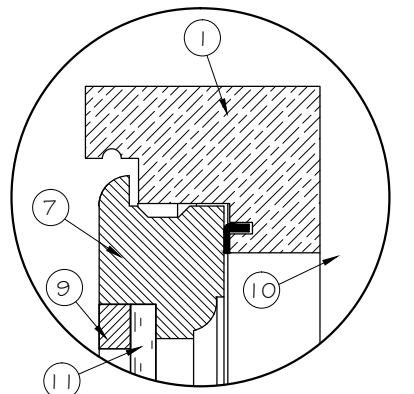
SECTION A-A

SECTION B-B

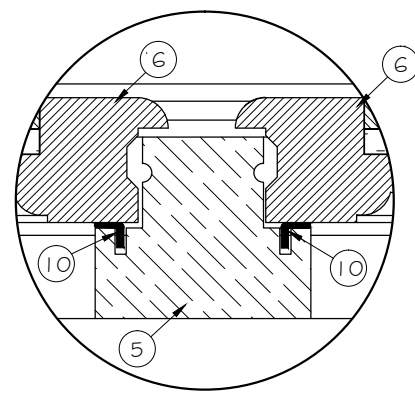
SECTION C-C



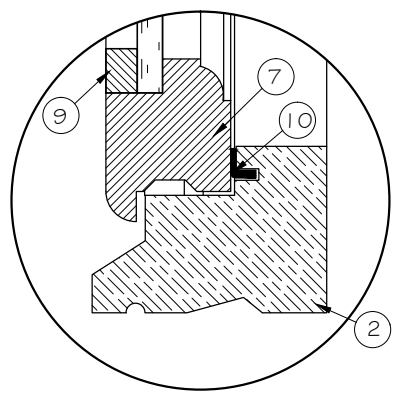
DETAIL "D"



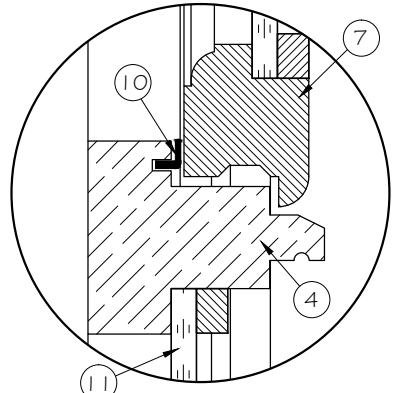
DETAIL "A"



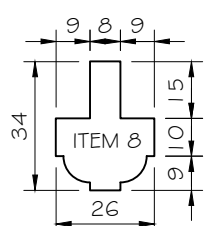
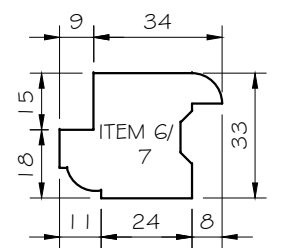
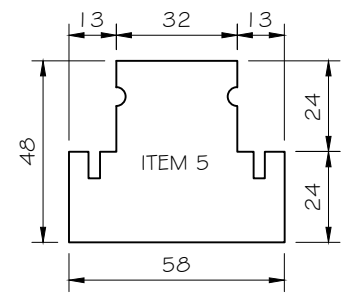
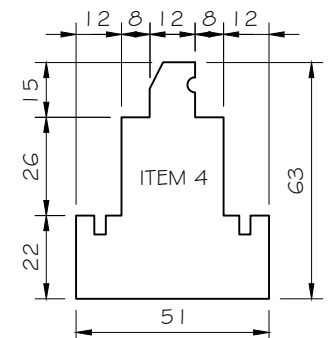
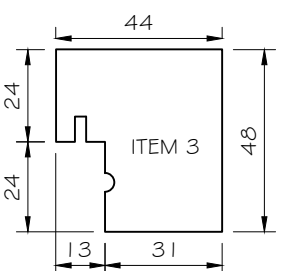
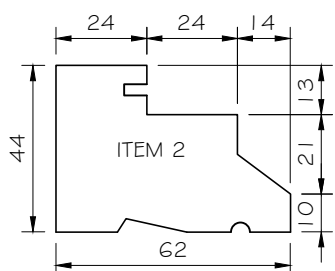
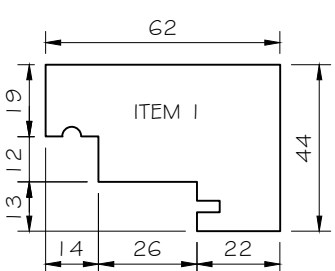
DETAIL "E"



DETAIL "B"



DETAIL "C"



NOTE: *PERFORMANCE CATEGORY AAAMSA "A1"
 *ALL JOINTS SEALED WITH GENKEM QAR 107D4
 *SILICON TO BE PLACED ON FRAME BEFORE GLASS IS SEATED.
 *WOOD BEAD SILICONED & NAILED TO FRAME.

ITEM LIST

ITEM	DESCRIPTION	ITEM	DESCRIPTION
1	GOOGWOOD HEAD	9	WOOD BEAD
2	GOODWOOD CILL	10	AQUAMAC 124
3	GOODWOOD STILE	11	GLASS 6.38mm LAMINATED
4	GOODWOOD TRANSOME	12	HANDLE WWH224 GAS SLIMLINE EGOLI
5	GOODWOOD MULLION	13	NN 4 BAR HINGE 300 YP
6	GOODWOOD SASH STILE	14	
7	GOODWOOD SASH RAIL	15	
8	BARS	16	

TAILORMADE JOINERY

TEL: 032 947 0435
 PO BOX 260 UMHLALI 4390

GOODWOOD
 TOP & SIDE HUNG

DRAWN	KEVIN	DRAWING	
DATE	08/04/2013	NUMBER	REV.
SCALE	1:2 - 1:16	012	0