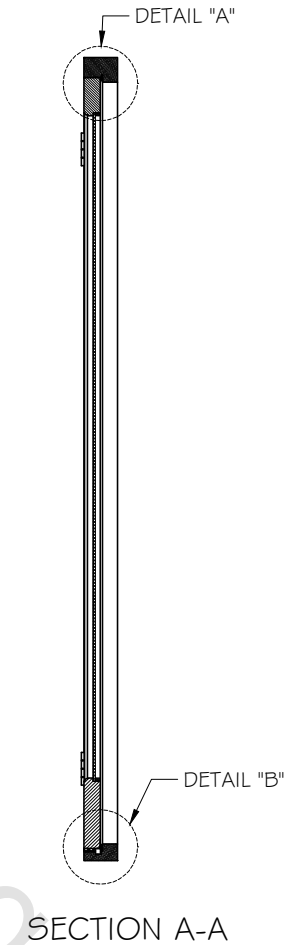
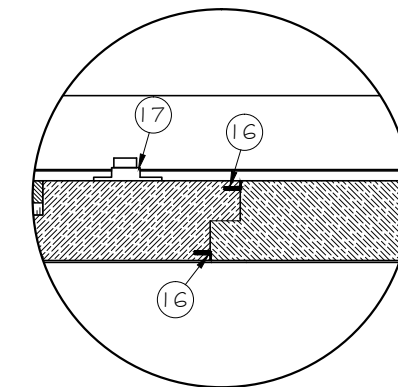


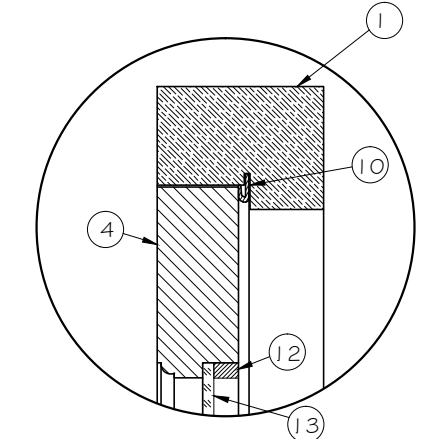
FRONT ELEVATION



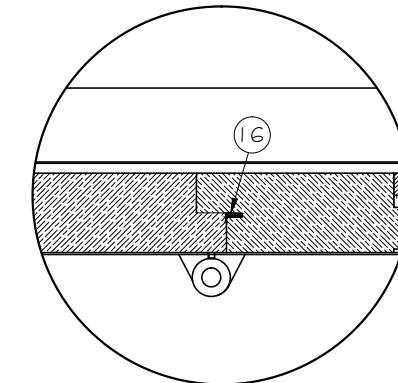
SECTION A-A



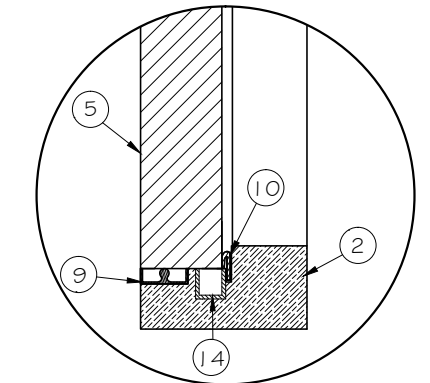
DETAIL D



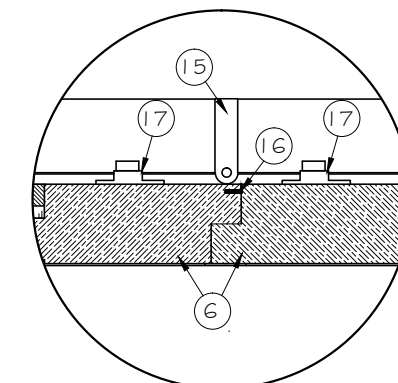
DETAIL A



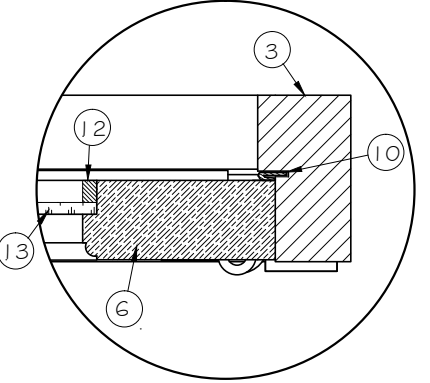
DETAIL E



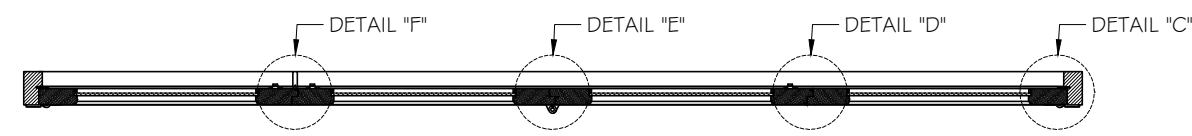
DETAIL B



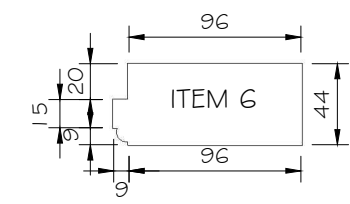
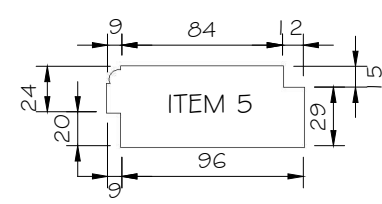
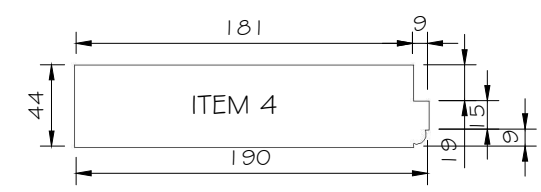
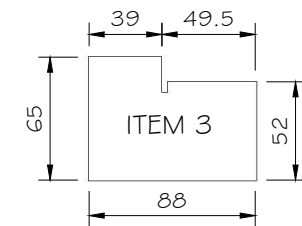
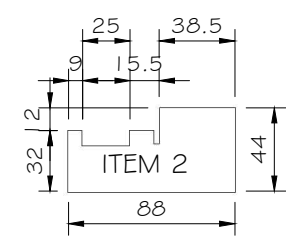
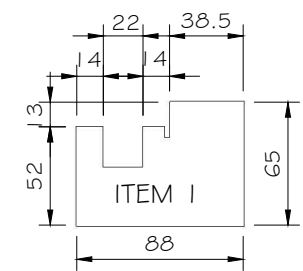
DETAIL F



DETAIL C



SECTION B-B



NOTE: *PERFORMANCE CATEGORY AAAMSA "A1"
 *ALL JOINTS SEALED WITH GENKEM QAR 1 07D4
 *SILICON TO BE PLACED ON FRAME BEFORE GLASS IS SEATED.
 *WOOD BEAD SILICONED & NAILED TO FRAME.

ITEM LIST			
ITEM	DESCRIPTION	ITEM	DESCRIPTION
1	FOLD-A-SIDE DOOR HEAD	10	AQUAMAC 124
2	FOLD-A-SIDE DOOR CILL	11	TOP GUIDE
3	FOLD-A-SIDE DOOR STILE	12	WOOD BEAD
4	FOLD-A-SIDE DOOR TOP RAIL	13	GLASS 6.38mm LAMINATED
5	FOLD-A-SIDE DOOR BOTTOM RAIL	14	ALU. WATER CHANNEL
6	FOLD-A-SIDE DOOR STILE (SLIDE)	15	BRASS HANDEL
7	FOLD-A-SIDE ROLLER	16	AQUAMAC 48
8	SKINLESS HINGES	17	FLUSH BOLTS
9	BRASS. E-TRACK	18	DOOR LOCK

TAILORMADE JOINERY
 TEL: 032 947 0435
 PO BOX 260 UMHLALI 4390

**FOLD-A-SIDE 4 DOOR
 FULL PANE SF2800FP**

DRAWN	KEVIN	DRAWING	
DATE	07/03/2013	NUMBER	REV.
SCALE	1:4 - 1:20	011	4