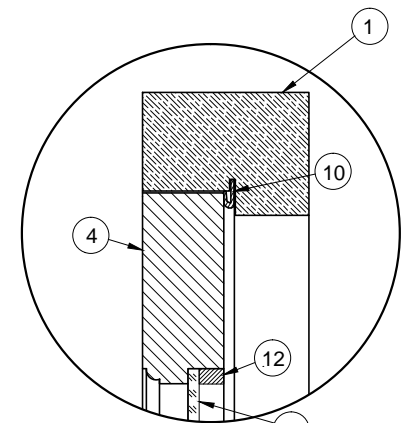
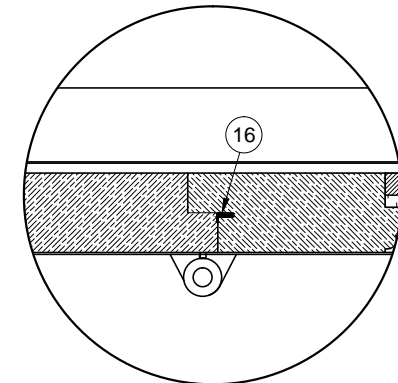


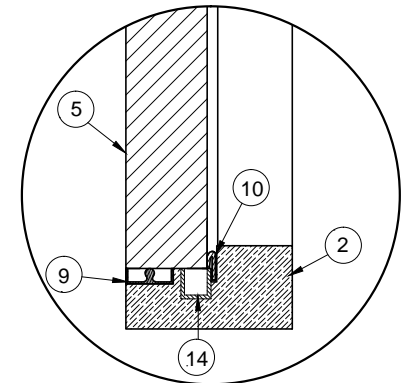
DETAIL D



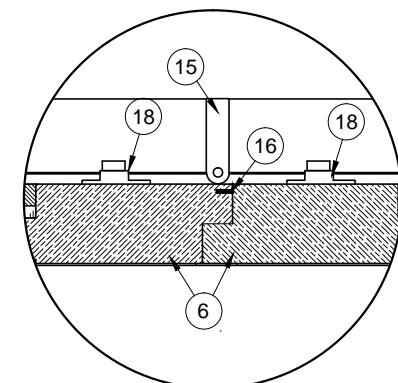
DETAIL A



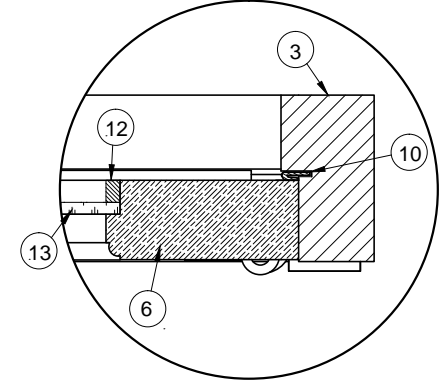
DETAIL E



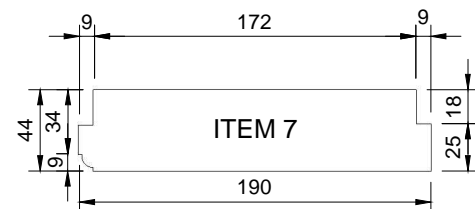
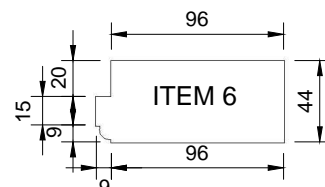
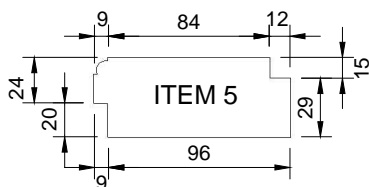
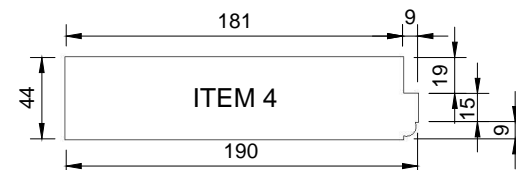
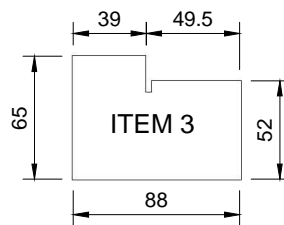
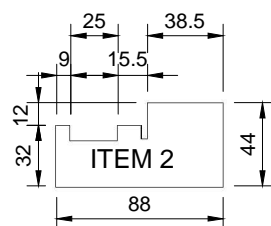
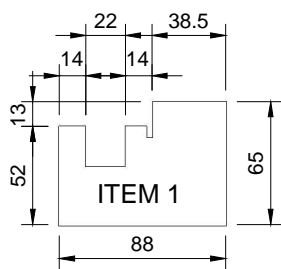
DETAIL B



DETAIL F



DETAIL C



NOTE: \*PERFORMANCE CATEGORY AAAMSA "A1"  
 \*ALL JOINTS SEALED WITH GENKEM QAR 107D4  
 \*SILICON TO BE PLACED ON FRAME BEFORE GLASS IS SEATED.  
 \*WOOD BEAD SILICONED & NAILED TO FRAME.

ITEM LIST

ITEM	DESCRIPTION	ITEM	DESCRIPTION
1	FOLD-A-SIDE DOOR HEAD	11	TOP GUIDE
2	FOLD-A-SIDE DOOR CILL	12	WOOD BEAD
3	FOLD-A-SIDE DOOR STILE	13	GLASS 6.38mm LAMINATED
4	FOLD-A-SIDE DOOR TOP RAIL	14	ALU. WATER CHANNEL
5	FOLD-A-SIDE DOOR BOTTOM RAIL	15	BRASS HANDEL
6	FOLD-A-SIDE DOOR STILE (SLIDE)	16	AQUAMAC 48
7	FOLD-A-SIDE ROLLER	17	190mm RAIL
8	SKINLESS HINGES	18	FLUSH BOLTS
9	BRASS. E-TRACK	19	DOOR LOCK
10	AQUAMAC 124		

TAILORMADE JOINERY

TEL: 032 947 0435  
 PO BOX 260 UMHLALI 4390

FOLD-A-SIDE 4 DOOR  
 190mm SF2800FP

DRAWN	KEVIN	DRAWING	
DATE	07/03/2013	NUMBER	REV.
SCALE	1:4 - 1:20	013	4