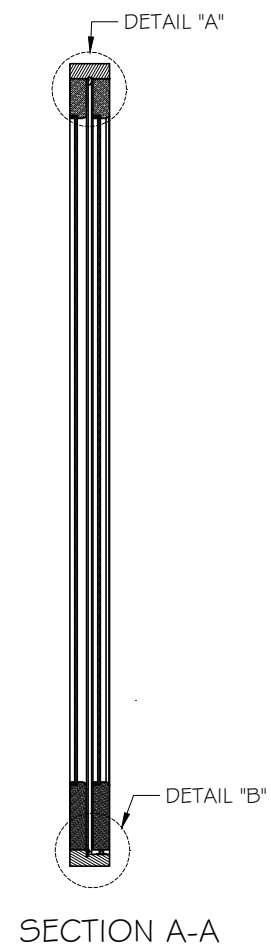
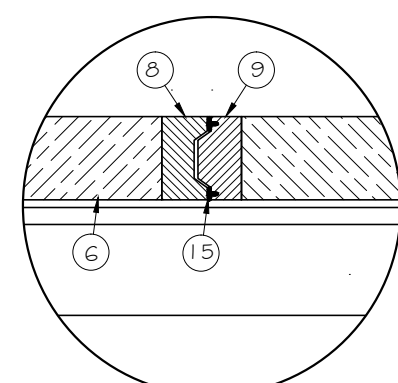


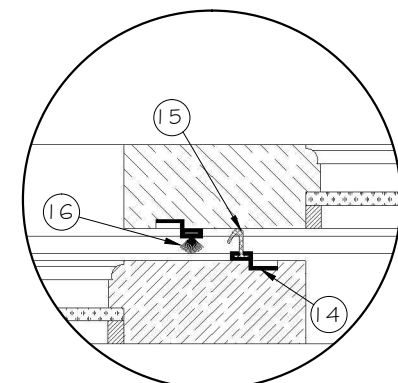
FRONT ELEVATION



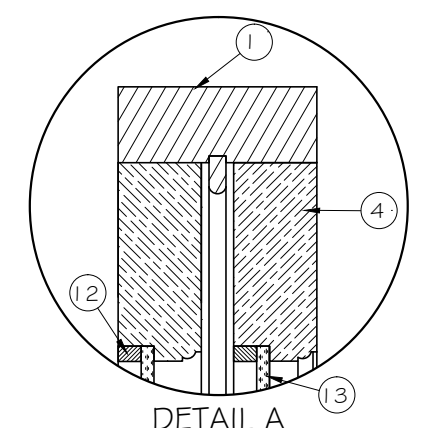
SECTION A-A



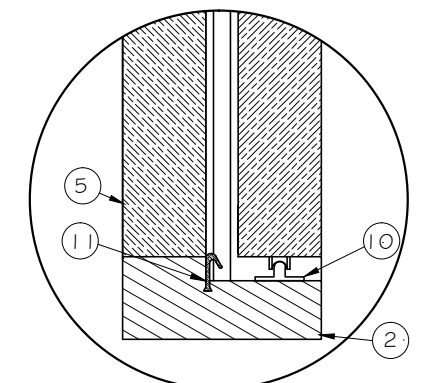
DETAIL D



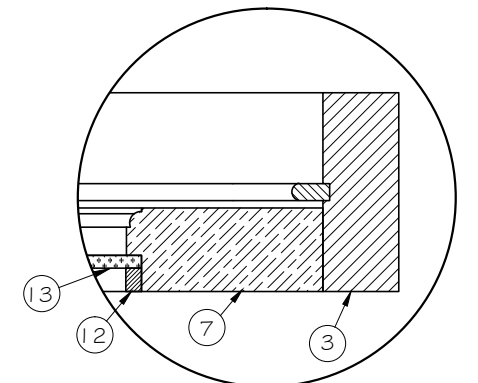
DETAIL E



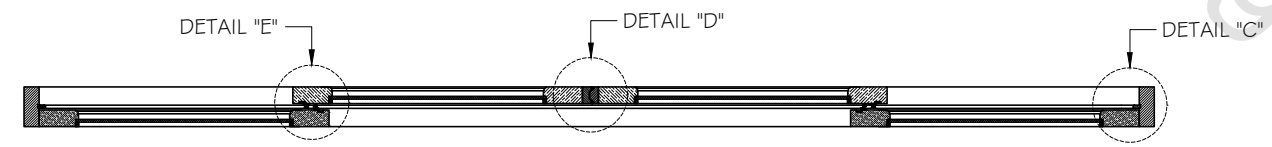
DETAIL A



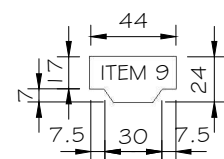
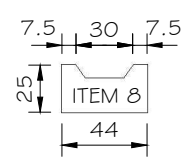
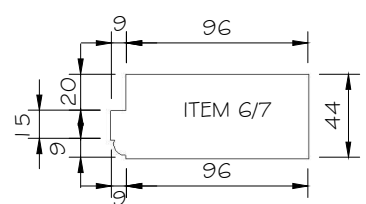
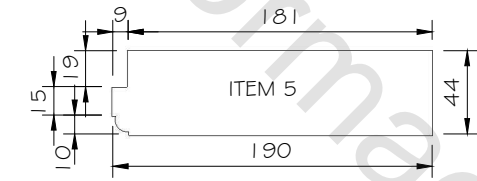
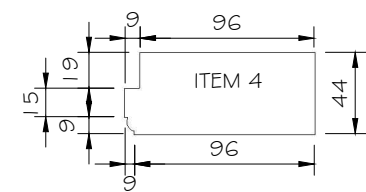
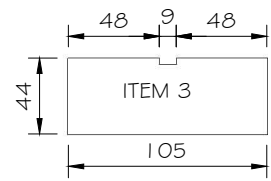
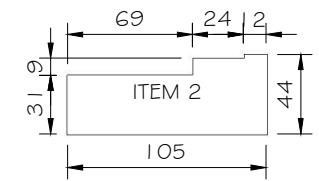
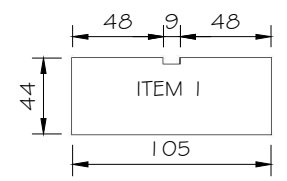
DETAIL B



DETAIL C



SECTION B-B



NOTE: *PERFORMANCE CATEGORY AAAMSA "A1"
 *ALL JOINTS SEALED WITH GENKEM QAR 107D4
 *SILICON TO BE PLACED ON FRAME BEFORE GLASS IS SEATED.
 *WOOD BEAD SILICONED & NAILED TO FRAME.

ITEM LIST			
ITEM	DESCRIPTION	ITEM	DESCRIPTION
1	SLIDING DOOR HEAD	9	MALE BEAD
2	SLIDING DOOR CILL	10	ALU. T-TRACK
3	SLIDING DOOR STILE	11	AQUAMAC 124
4	SLIDING DOOR TOP RAIL	12	WOOD BEAD
5	SLIDING DOOR BOTTOM RAIL	13	GLASS 6.38mm LAMINATED
6	SLIDING DOOR STILE (SLIDE)	14	WOOLPILE HOLDER
7	SLIDING DOOR STILE (FIXED)	15	Q-LON
8	FEMALE BEAD	16	WOOLPILE

TAILORMADE JOINERY
 TEL: 032 947 0435
 PO BOX 260 UMHLALI 4390

**DOUBLE SLIDING DOOR
 FULL PANE DSL2800FP**

DRAWN		DRAWING	
DATE	05/03/2013	NUMBER	REV.
SCALE	1:4 - 1:20	005	3