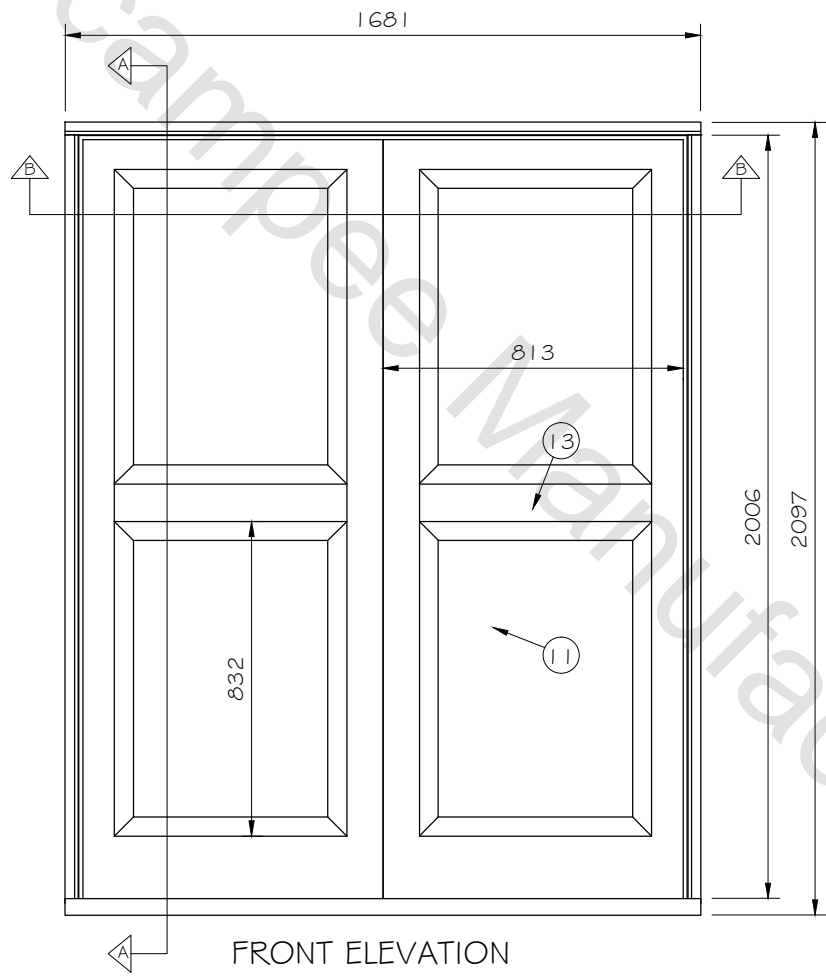
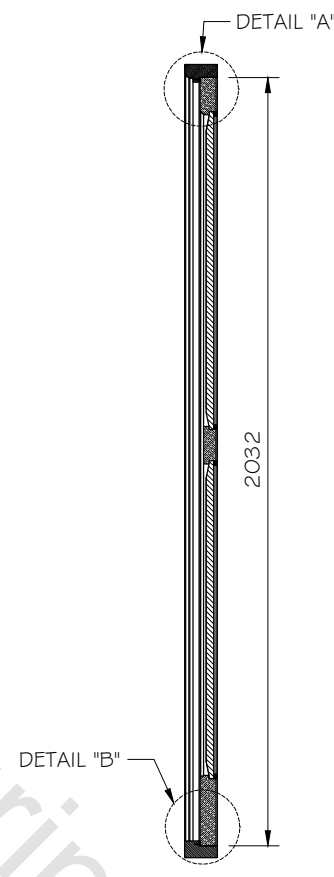


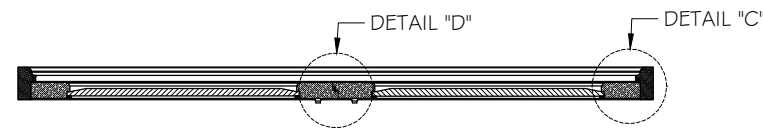
Sample Manufacturing Tailormade Joinery



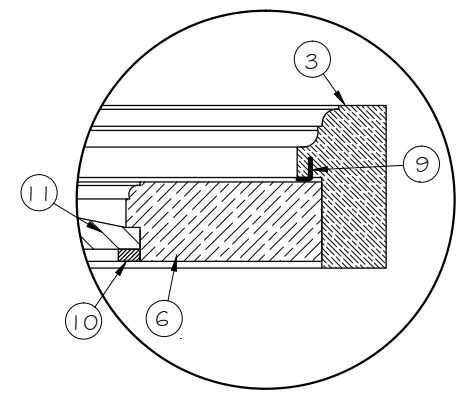
FRONT ELEVATION



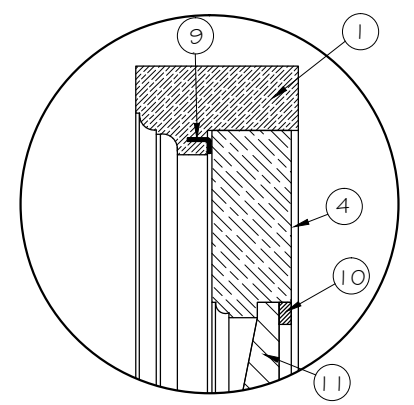
SECTION A-A



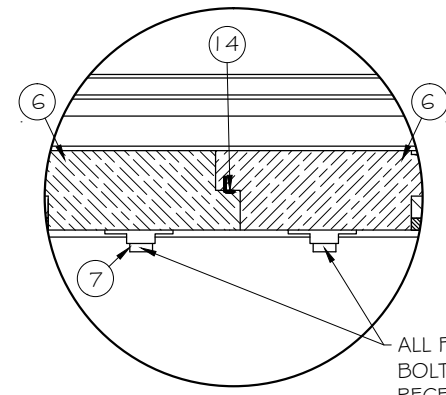
SECTION B-B



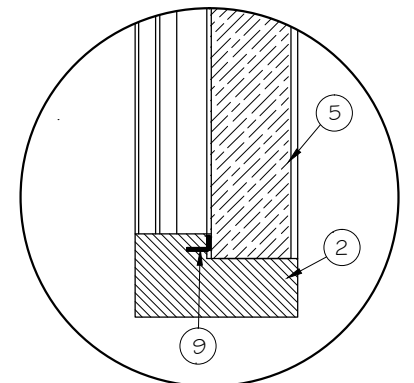
DETAIL "C"



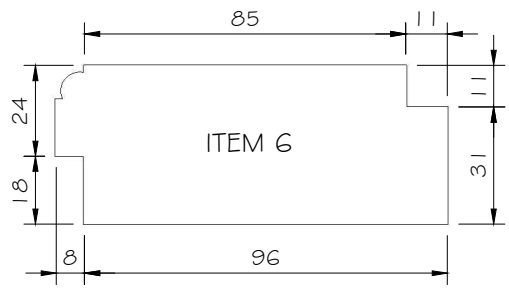
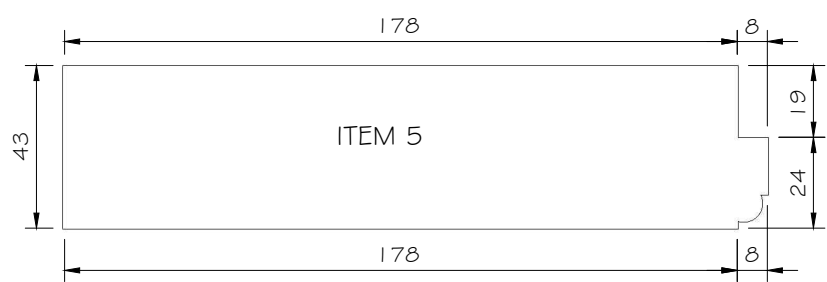
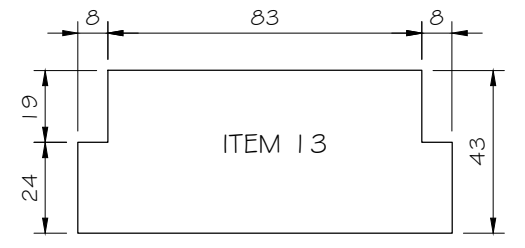
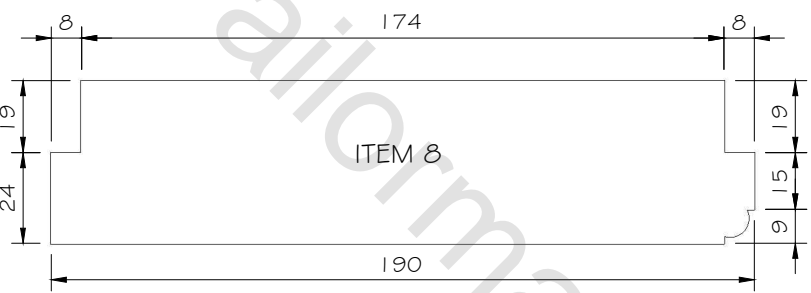
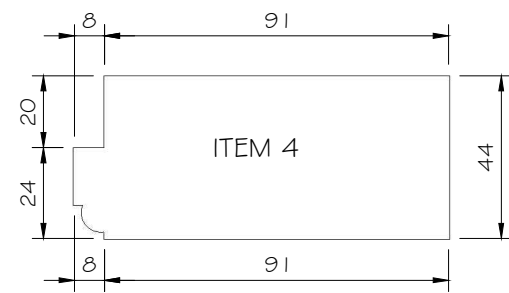
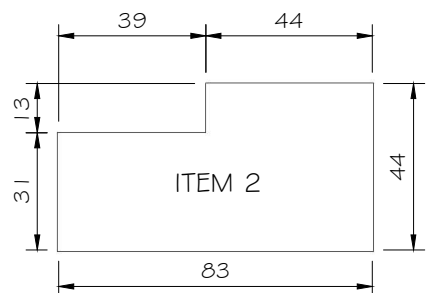
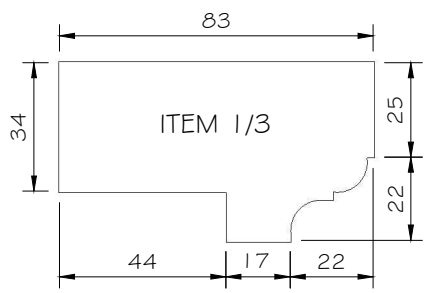
DETAIL "A"



DETAIL "D"



DETAIL "B"



NOTE: \*PERFORMANCE CATEGORY AAAMSA "A1"  
 \*ALL JOINTS SEALED WITH GENKEM QAR 1 07D4  
 \*SILICON TO BE PLACED ON FRAME BEFORE PANEL IS SEATED.  
 \*WOOD BEAD SILICONED & NAILED TO FRAME.

ITEM LIST			
ITEM	DESCRIPTION	ITEM	DESCRIPTION
1	PANEL DOOR HEAD	10	WOOD BEAD
2	PANEL DOOR CILL	11	20mm WOODEN PANNEL
3	PANEL DOOR STILE	12	DOOR LOCK
4	PANEL DOOR TOP RAIL	13	DOOR CENTER RAIL
5	PANEL DOOR BOTTOM RAIL	14	AQUAMAC 63
6	PANEL DOOR DOOR STILE	15	
7	FLUSH BOLTS	16	
8	190mm RAIL	17	
9	AQUAMAC 124	18	

**TAILORMADE JOINERY**  
 TEL: 032 947 0435  
 PO BOX 260 UMHLALI 4390

PANEL DOOR

DRAWN		DRAWING	
DATE	12/04/2013	NUMBER	REV.
SCALE	1:2 - 1:20	016	0