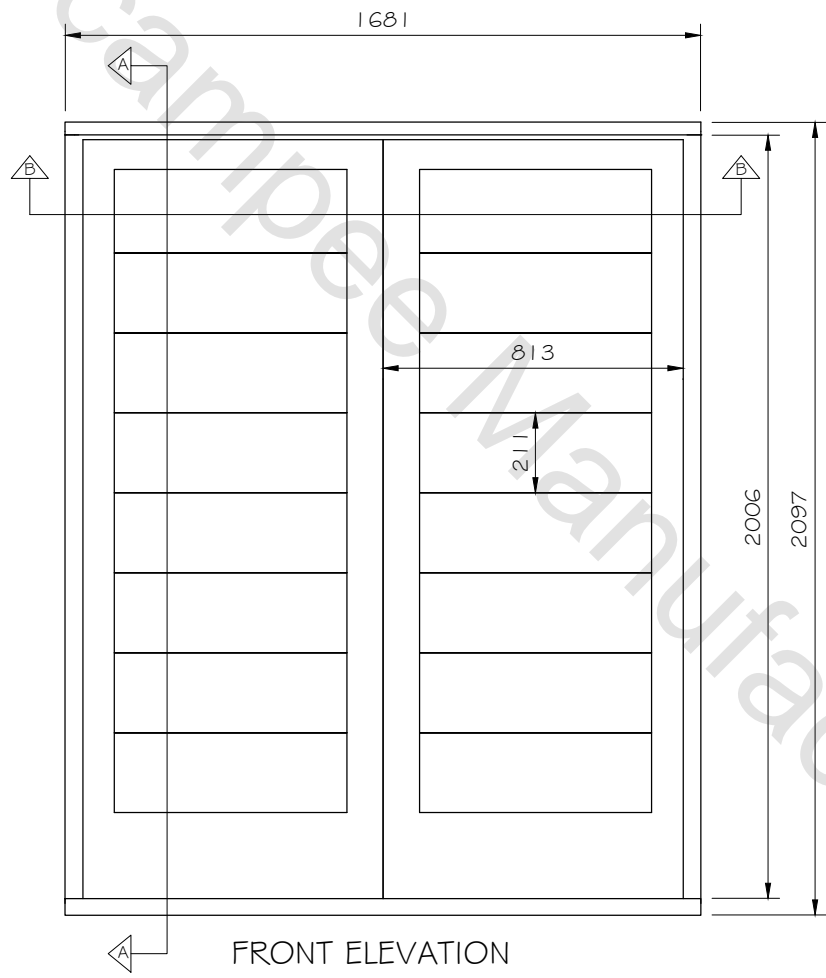
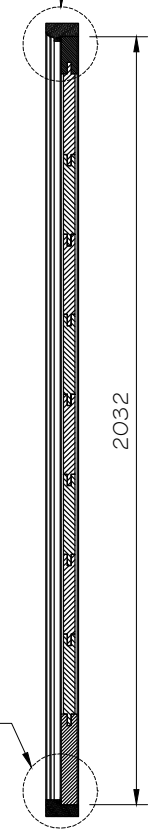


Sample Manufacturing Tailormade Joinery

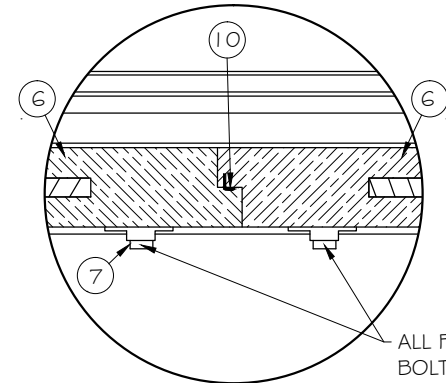


FRONT ELEVATION

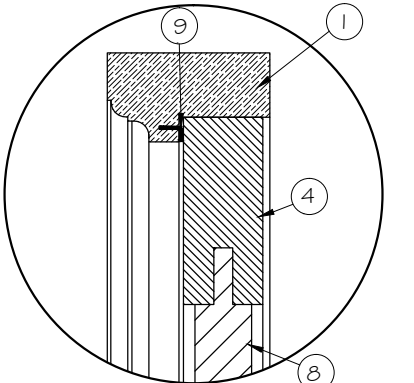
DETAIL "A"



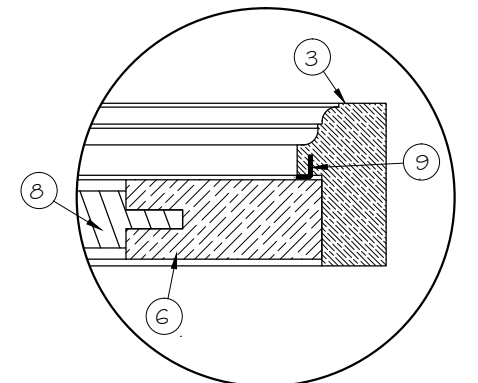
SECTION A-A



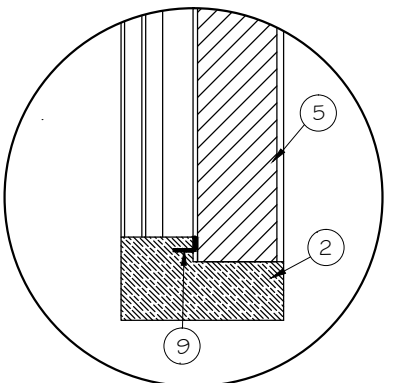
DETAIL "D"



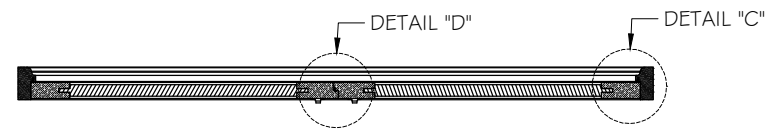
DETAIL "A"



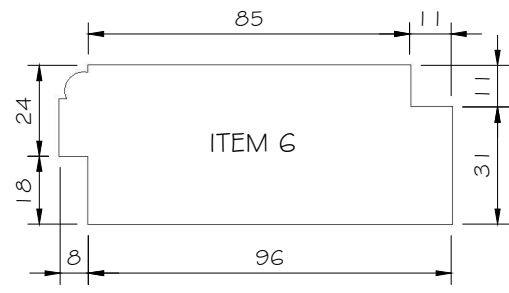
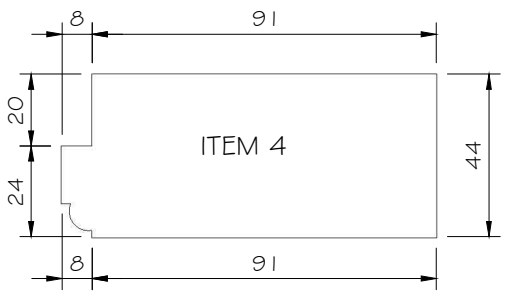
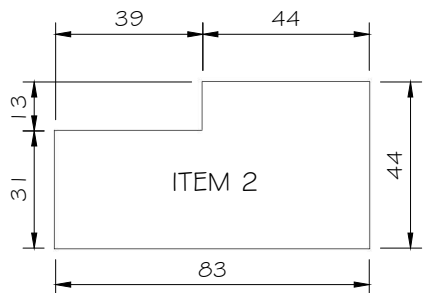
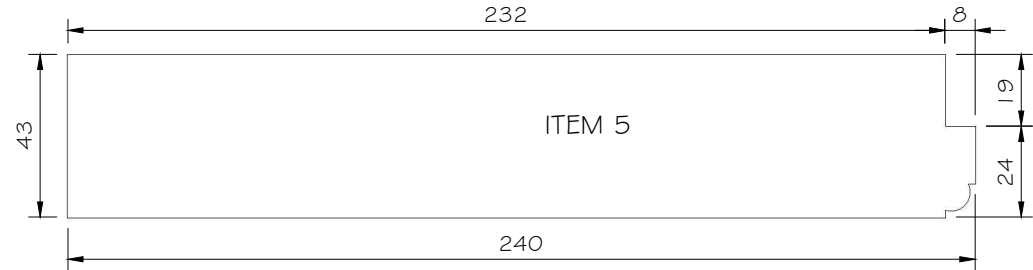
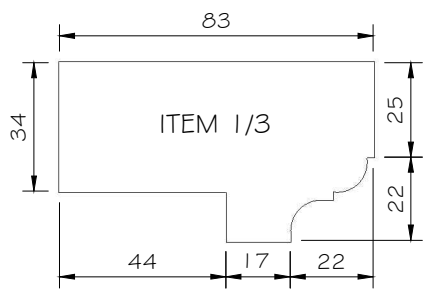
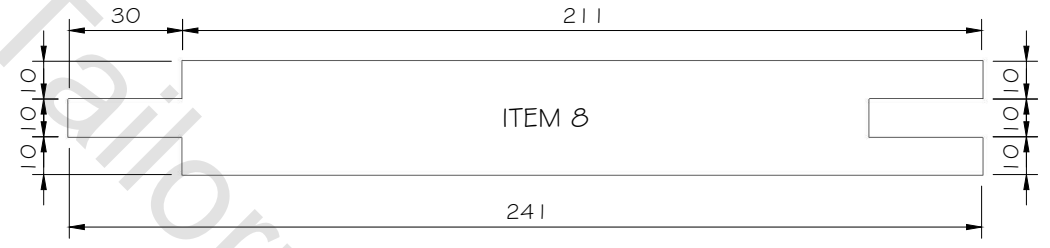
DETAIL "C"



DETAIL "B"



SECTION B-B



NOTE: \*PERFORMANCE CATEGORY AAAMSA "A1"  
 \*ALL JOINTS SEALED WITH GENKEM QAR1 07D4  
 \*SILICON TO BE PLACED ON FRAME BEFORE WOOD IS SEATED.  
 \*WOOD BEAD SILICONED & NAILED TO FRAME.

ITEM LIST	
ITEM	DESCRIPTION
1	HORIZONTAL SLAT DOOR HEAD
2	HORIZONTAL SLAT DOOR CILL
3	HORIZONTAL SLAT DOOR STILE
4	HORIZONTAL SLAT DOOR TOP RAIL
5	HORIZONTAL SLAT DOOR BOTTOM RAIL
6	HORIZONTAL SLAT DOOR DOOR STILE
7	FLUSH BOLTS
8	HORIZONTAL SLAT
9	AQUAMAC 124
10	AQUAMAC 63

**TAILORMADE JOINERY**  
 TEL: 032 947 0435  
 PO BOX 260 UMHLALI 4390

**HORIZONTAL SLAT DOOR**

DRAWN	KEVIN	DRAWING	
DATE	23/04/2013	NUMBER	REV.
SCALE	1:2 - 1:20	017	0