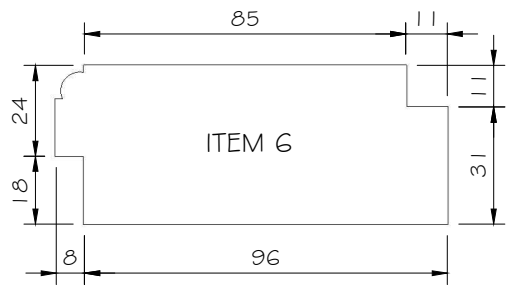
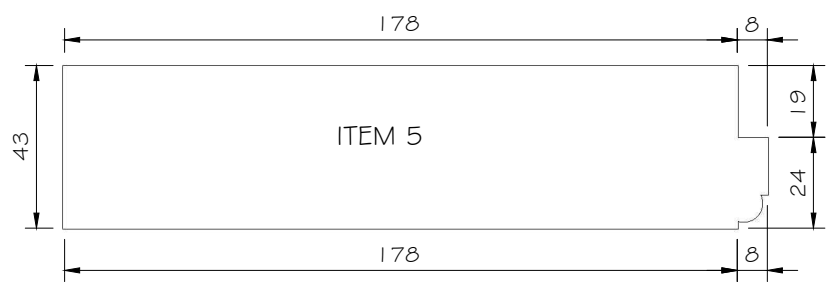
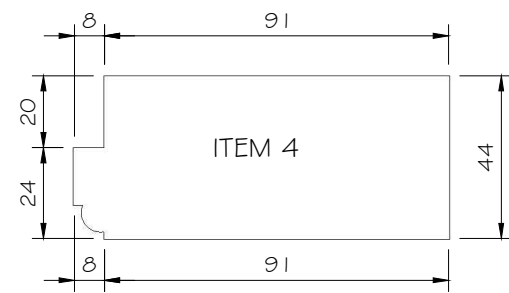
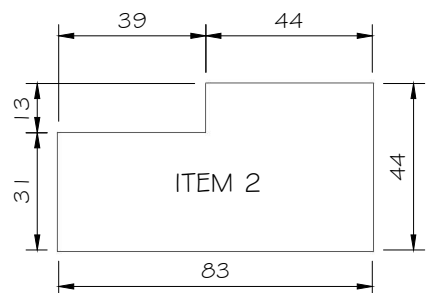
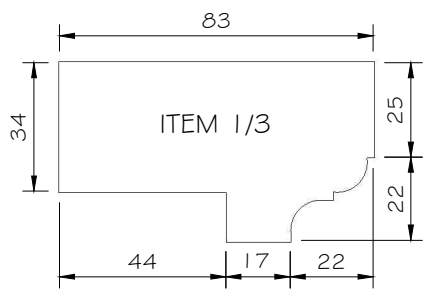
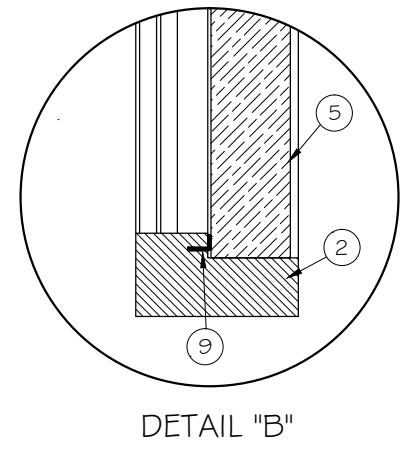
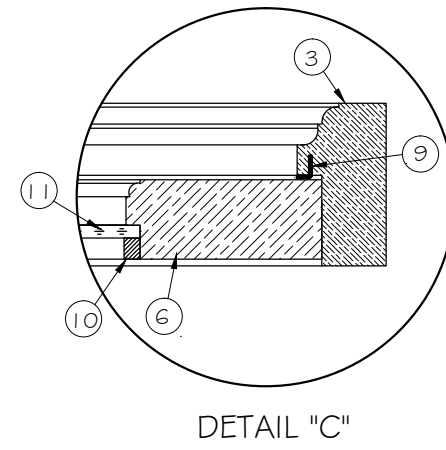
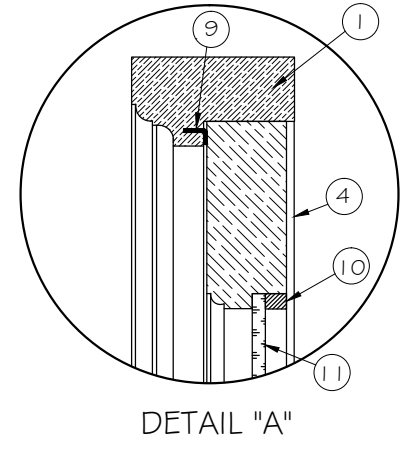
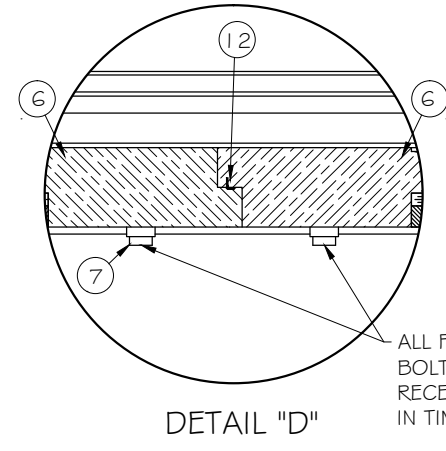
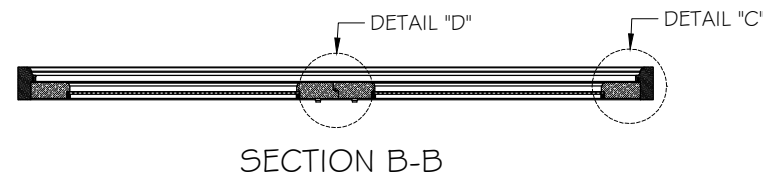
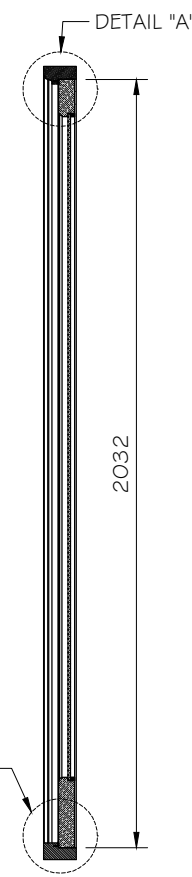
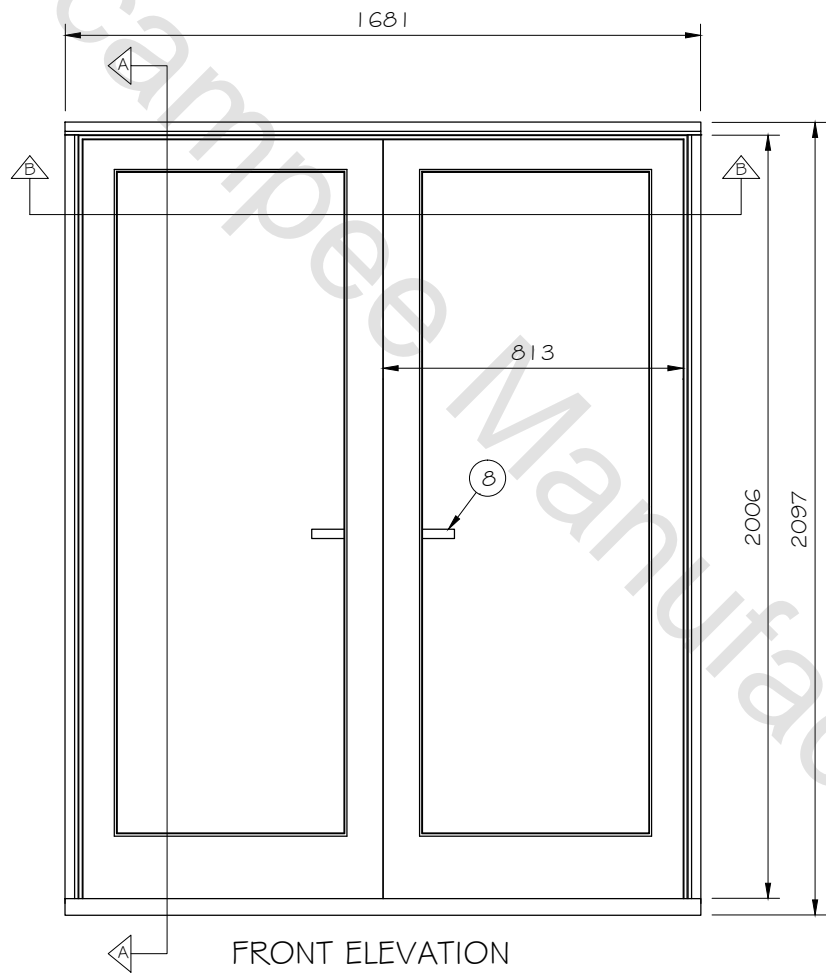


Scamper Manufacturing t/a Tailormade Joinery



NOTE: *PERFORMANCE CATEGORY AAAMSA "A1"
 *ALL JOINTS SEALED WITH GENKEM QAR 1 07D4
 *SILICON TO BE PLACED ON FRAME BEFORE GLASS IS SEATED.
 *WOOD BEAD SILICONED & NAILED TO FRAME.

ITEM LIST			
ITEM	DESCRIPTION	ITEM	DESCRIPTION
1	DOOR HEAD	10	WOOD BEAD
2	DOOR CILL	11	GLASS 6.38mm LAMINATED
3	DOOR STILE	12	AQUAMAC 63
4	DOOR TOP RAIL	13	
5	DOOR BOTTOM RAIL	14	
6	DOOR STILE	15	
7	FLUSH BOLTS	16	
8	DOOR LOCK	17	
9	AQUAMAC 124	18	

TAILORMADE JOINERY
 TEL: 032 947 0435
 PO BOX 260 UMHLALI 4390

DOOR FULL PANE			
DRAWN		DRAWING	
DATE	09/04/2013	NUMBER	REV.
SCALE	1:4 - 1:20	013	0