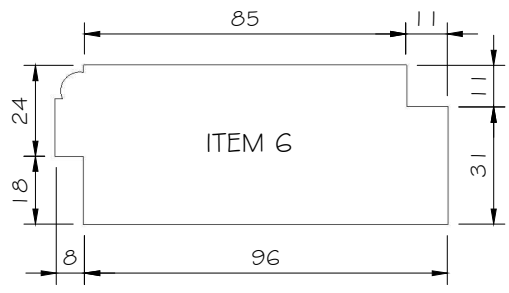
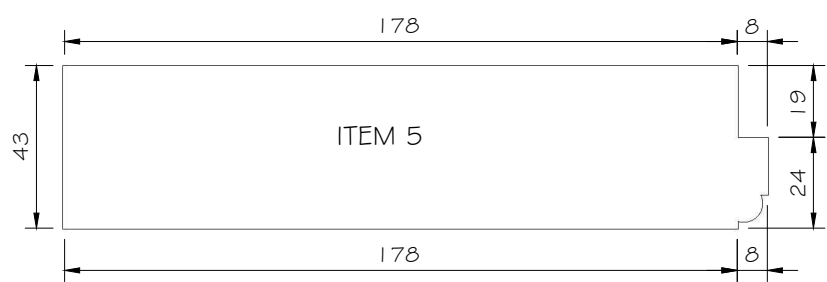
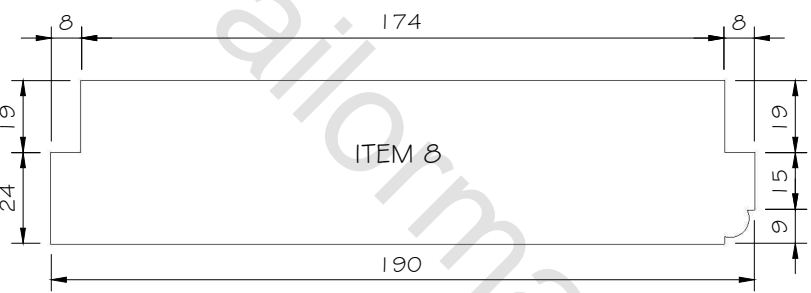
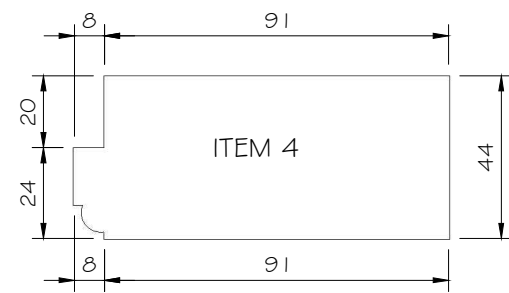
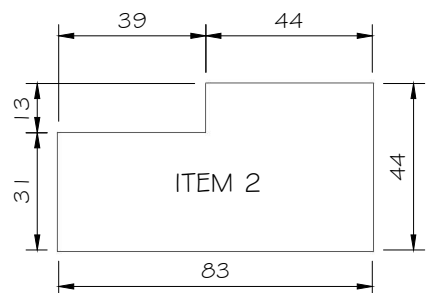
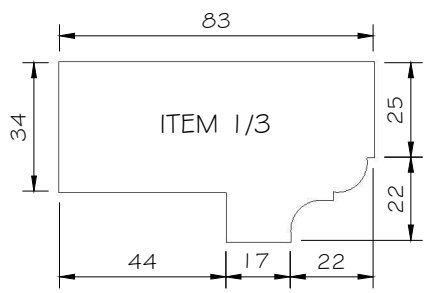
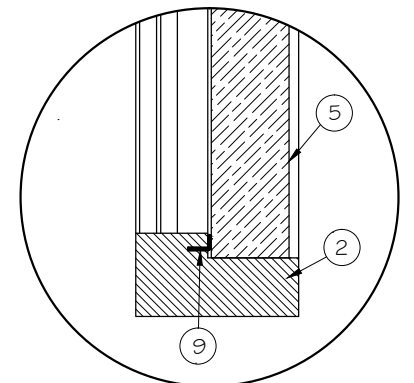
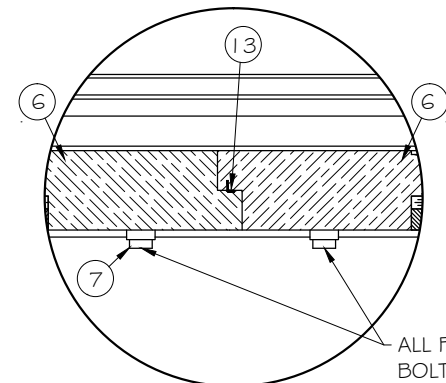
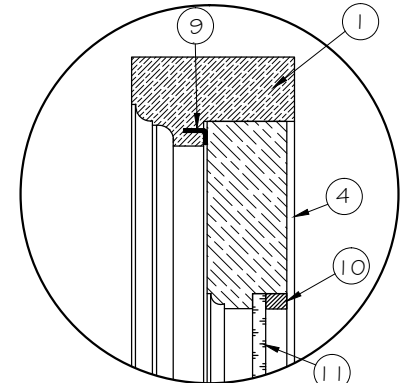
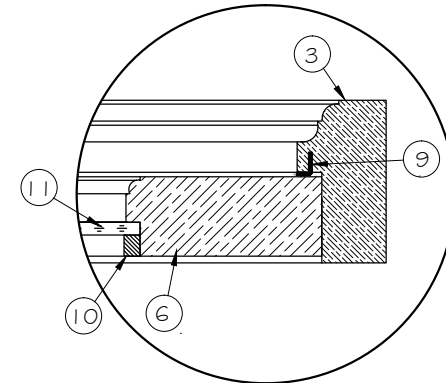
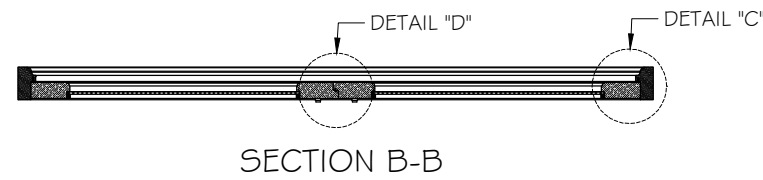
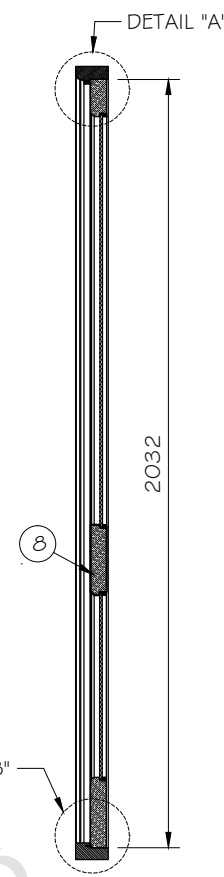
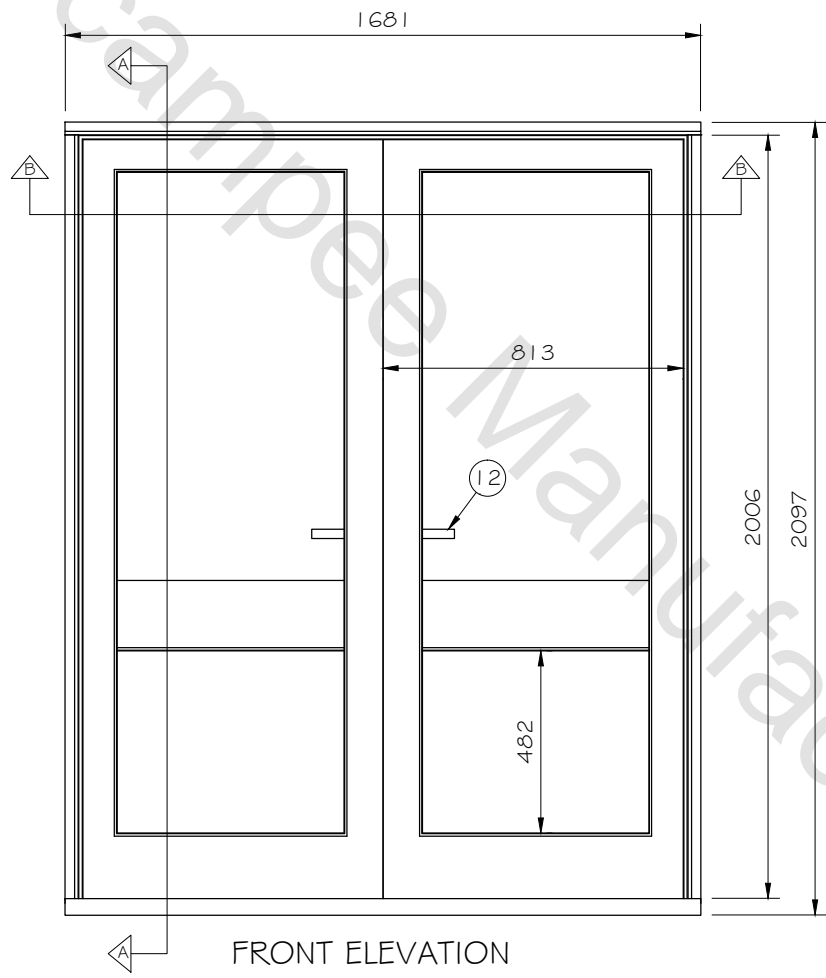


Sample Manufacturing Tailormade Joinery



NOTE: *PERFORMANCE CATEGORY AAAMSA "A1"
 *ALL JOINTS SEALED WITH GENKEM QAR 1 07D4
 *SILICON TO BE PLACED ON FRAME BEFORE GLASS IS SEATED.
 *WOOD BEAD SILICONED & NAILED TO FRAME.

ITEM LIST			
ITEM	DESCRIPTION	ITEM	DESCRIPTION
1	DOOR 105mm HEAD	10	WOOD BEAD
2	DOOR 105mm CILL	11	GLASS 6.38mm LAMINATED
3	DOOR 105mm STILE	12	DOOR LOCK
4	DOOR 105mm TOP RAIL	13	AQUAMAC 63
5	DOOR 105mm BOTTOM RAIL	14	
6	DOOR 105mm DOOR STILE	15	
7	FLUSH BOLTS	16	
8	190mm RAIL	17	
9	AQUAMAC 124	18	

TAILORMADE JOINERY
 TEL: 032 947 0435
 PO BOX 260 UMHLALI 4390

DOOR 190mm RAIL

DRAWN	KEVIN	DRAWING	
DATE	12/04/2013	NUMBER	REV.
SCALE	1:2 - 1:20	016	0